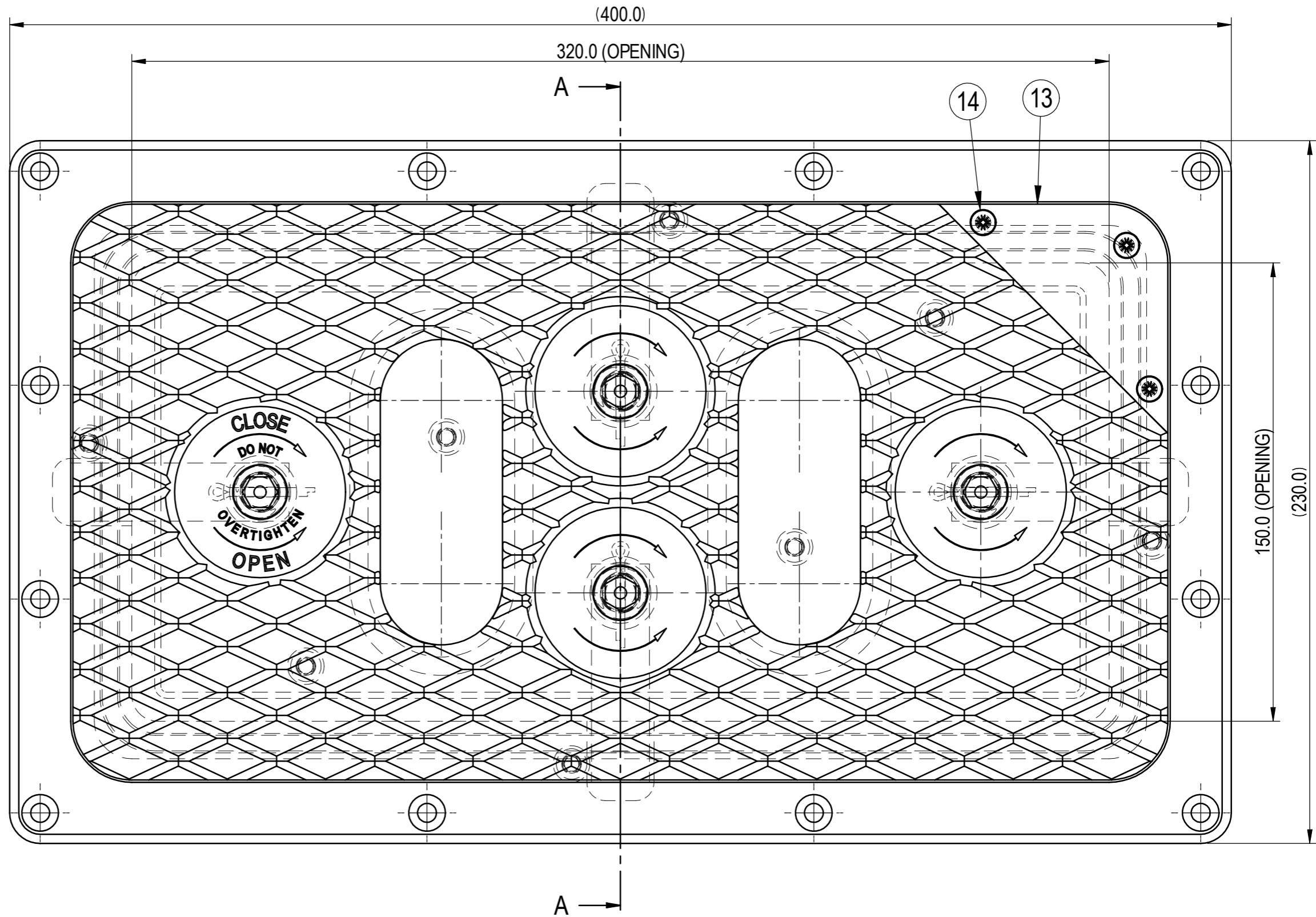


SECTION A-A



NAME: HATCH ASSEMBLY  
 MATERIAL:  
 BREAK SHARP EDGES

THIS DRAWING IS CONFIDENTIAL AND IS THE PROPERTY OF BAILEY MARINE AND MUST NOT BE REPRODUCED EITHER WHOLLY OR PARTLY. ALL RIGHTS IN RESPECT OF PATENTS, DESIGN AND COPYRIGHTS ARE RESERVED.

NOTE:  
 1. ITEM 012 - KEY TO BE SUPPLIED WITH THIS ASSEMBLY.  
 2. READ IN CONJUNCTION WITH SHEET 2.

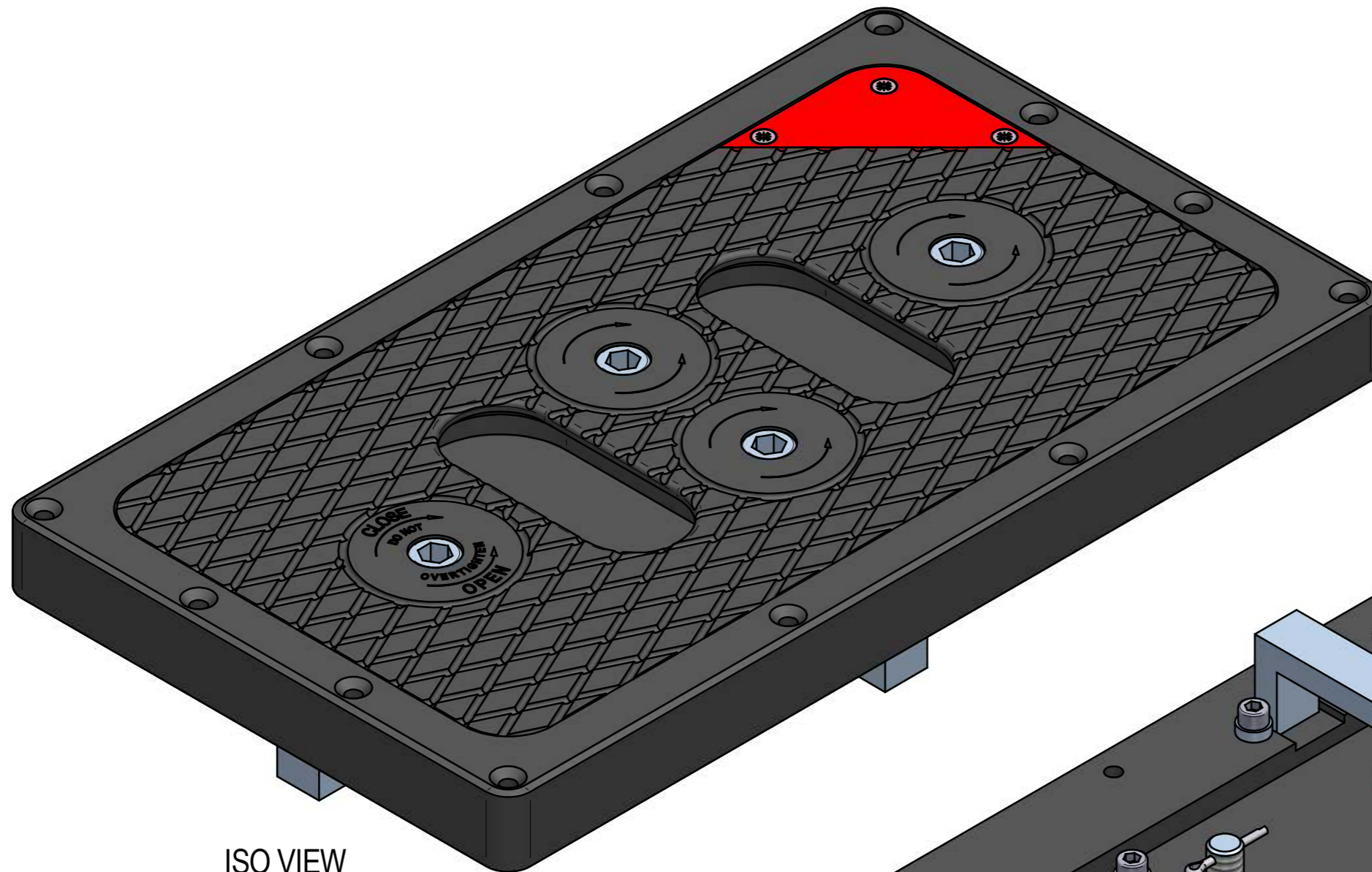
UNIT WEIGHT- 3.9 kg

DESIGNED BY J. E. BAILEY

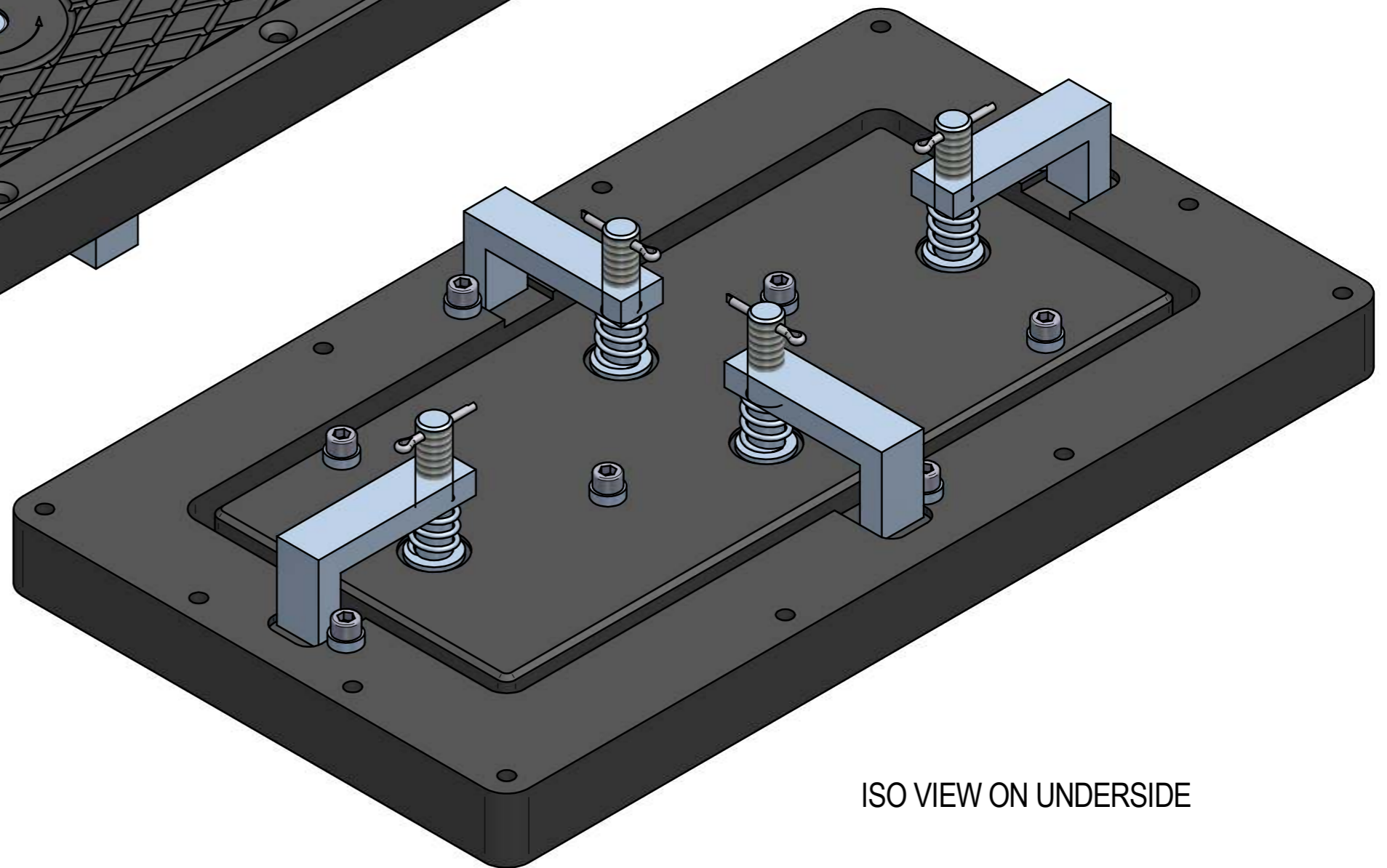
|       |        |         |          |         |       |
|-------|--------|---------|----------|---------|-------|
| DRAWN | TRACED | CHECKED | APPROVED | DATE    | SCALE |
| TCL   | -      | TCL     | JB       | * 11.16 | 1:1   |

DRAWING No. \* BM97

| No.       | DESCRIPTION            | CHK'D | APP'D | DATE  |
|-----------|------------------------|-------|-------|-------|
| 00        | ISSUED FOR MANUFACTURE | TCL   | JB    | 11.16 |
| REVISIONS |                        |       |       |       |



ISO VIEW



ISO VIEW ON UNDERSIDE

UNIT WEIGHT- 3.9 kg

DESIGNED BY J. E. BAILEY

THIS DRAWING IS CONFIDENTIAL AND IS THE PROPERTY OF BAILEY MARINE AND MUST NOT BE REPRODUCED EITHER WHOLLY OR PARTLY. ALL RIGHTS IN RESPECT OF PATENTS, DESIGN AND COPYRIGHTS ARE RESERVED.

Copyright (c) 2005 Bailey Marine

| DRAWN | TRACED | CHECKED | APPROVED | DATE    | SCALE |
|-------|--------|---------|----------|---------|-------|
| TCL   | -      | TCL     | JB       | * 11.16 | 1:1   |

DRAWING No. \* BM97

| No.       | DESCRIPTION            | CHK'D | APP'D | DATE  |
|-----------|------------------------|-------|-------|-------|
| 00        | ISSUED FOR MANUFACTURE | TCL   | JB    | 11.16 |
| REVISIONS |                        |       |       |       |